

**THE
COMPLETE
SOURCE
FOR
STAGE LIGHTING
CABLE**

**COLE
&
WIRE
CABLE**

- Knowledgeable Service
- Multi-Million Dollar Inventory
- No Cutting Charges
- Same Day Shipping
- Competitive Pricing
- 24 Hour Emergency Hotline

When it comes to electrical wire and cable, stage lighting professionals turn to Cole Wire to meet their needs.

For example, Cole has supplied stage cable for performances by KISS, special application cable for Jacques Cousteau Society as well as such well known venues as House Of Blues, Ed Sullivan Theatre, Chicago Civic Opera, Chicago's Petrillo Band Shell and Park West Theatre, Cirque de Soleil and many others.

Cole specializes in portable control cables. That's why you'll find 12 gauge up to 60 conductor cable and 10 gauge up to 40 conductor cable in type SO as well as white jacketed 3 and 4 conductor cable.

So whatever your needs, either call our knowledgeable customer service representatives, our 24 hour emergency hotline or our new website. We'll make light work of ordering your lighting cable.

Dual Rated SIS/3173 125° C



UL Styles 3173, 3195, 3196 (XLP)
CSA Type CL-1251
600 Volt, 125°C, Stranded tinned copper,
cross-linked polyethylene insulation.
Dual rated SIS

COLE NUMBER	SIZE AWG	COND. STRAND	NOM. O.D.	NOM. WALL	UL STYLE
01-0096	18	16/30	.112	.031	3173
01-0097	16	26/30	.125	.031	3173
01-0098	14	41/30	.143	.031	3173
01-0099	12	65/30	.164	.031	3173
01-0100	10	105/30	.187	.031	3173

Please specify color

NOTES

Teflon Hook-up Wire 200° C



MIL-W 16878E/4 Type E Teflon®
600 Volt, -65°C to 200°C,
stranded or solid silver-plated copper,
extruded tetrafluorethylene (TFE) insulation.
(UL Style 1213 available upon request)

COLE NUMBER	SIZE AWG	COND. STRAND	NOM. O.D.	NOM. WALL
03-0243	18	19/30	.070	.010
03-0244	16	19/29	.077	.011
03-0245	14	19/27	.094	.011
03-0246	12	19/25	.113	.012
03-0247	10	37/26	.135	.012

Please specify color

NOTES

High-Temp Flexible Lead 200° C



Fixture Appliance Wire
Type SFF-2, 600 Volt, 150°C
Flexibly stranded tinned copper, silicone
insulated, impregnated glass braid jacket.
Stocked in various colors.
CSA Type SEWF-2

COLE NUMBER	SIZE AWG	COND. STRAND	NOM. O.D.	NOM. WALL	UL STYLE
03-0010	18	16/30	.130	.031	3070
03-0011	16	26/30	.140	.031	3070
03-0012	14	41/30	.160	.031	3070
03-0013	12	65/30	.180	.031	3070
03-0014	10	105/30	.224	.045	3101
03-0015	8	133 str	.314	.060	3127
03-0016	6	133 str	.357	.060	3127

Please specify color

NOTES

High-Temp Lead 200° C



Fixture Appliance Wire
Type SF-2, 600 Volt, 200°C
Stranded tinned copper, silicone insulated,
impregnated glass braid jacket.
Stocked in various colors.
CSA Type SEW-2

COLE NUMBER	SIZE AWG	COND. STRAND	NOM. O.D.	NOM. WALL	UL STYLE
03-0001	18	7/26	.130	.031	3071
03-0002	16	7/24	.140	.031	3071
03-0003	14	7/22	.160	.031	3071
03-0004	12	19/25	.180	.031	3074
03-0005	10	19/23	.240	.047	3075

Please specify color

NOTES

Type SJO 300V Portable Cord



Type SJOOW
300 Volt, 90°C,
UL/CSA Portable Cord
color-coded 90°C EPDM insulation,
with a proprietary black neoprene jacket overall.

COLE NUMBER	SIZE AWG	NO. OF COND.	COND. STRAND	NOM. WALL	NOM. O.D.	AMPS	WT. LBS/M
13-0040	18	2	16/30	.030	.295	10	56
13-0041	18	3	16/30	.030	.320	10	72
13-0042	18	4	16/30	.030	.355	7	96
13-0045	16	2	26/30	.030	.320	13	69
13-0046	16	3	26/30	.030	.345	13	92
13-0047	16	4	26/30	.030	.385	10	116
13-0050	14	2	41/30	.030	.350	18	92
13-0051	14	3	41/30	.030	.380	18	112
13-0052	14	4	41/30	.030	.415	15	136
13-0055	12	2	65/30	.030	.425	25	146
13-0056	12	3	65/30	.030	.450	25	189
13-0057	12	4	65/30	.030	.500	20	225
13-0060	10	2	104/30	.045	.560	30	214
13-0061	10	3	104/30	.045	.600	30	275
13-0062	10	4	104/30	.045	.680	25	344

Green conductor used for grounding purposes only

NOTES

600V White Portable Cord



Multi-Conductor UL Type SEOW/CSA Type STOW
600 Volt, 105°C,
stranded bare copper, color-coded insulation,
with a heavy duty white thermo plastic
elastomer jacket overall.

COLE NUMBER	SIZE AWG	NO. OF COND.	COND. STRAND	NOM. WALL	NOM. O.D.	WT. LBS/M
16 Gauge						
13-5303	16	3	26/30	.030	.395	76
13-5304	16	4	26/30	.030	.420	90
12 Gauge						
13-5503	12	3	65/30	.045	.600	182

WHITE JACKET CAN BE DYED IN A VARIETY OF COLORS.

NOTES

Type SO 600V Portable Cord



Multi-Conductor SOOW
600 Volt, 90°C,
Portable Cord
color-coded 90°C EPDM insulation,
with a heavy duty black polymer jacket overall.

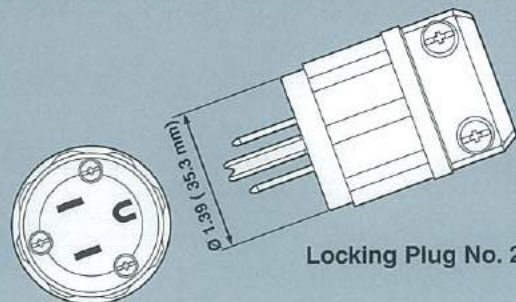
COLE NUMBER	SIZE AWG	NO. OF COND.	COND. STRAND	NOM. WALL	NOM. O.D.	AMPS	WT. LBS/M
UL/CSA Type SOOW							
13-0100	18	2	16/30	.030	.345	10	75
13-0101	18	3	16/30	.030	.365	10	87
13-0102	18	4	16/30	.030	.390	7	102
13-0105	16	2	26/30	.030	.370	13	78
13-0106	16	3	26/30	.030	.390	13	105
13-0107	16	4	26/30	.030	.425	10	120
13-0110	14	2	41/30	.045	.500	18	151
13-0111	14	3	41/30	.045	.530	18	176
13-0112	14	4	41/30	.045	.570	15	210
13-0115	12	2	65/30	.045	.575	25	201
13-0116	12	3	65/30	.045	.600	25	235
13-0117	12	4	65/30	.045	.650	20	291
13-0120	10	2	104/30	.045	.625	30	245
13-0121	10	3	104/30	.045	.660	30	307
13-0122	10	4	104/30	.045	.710	25	360

Type SOOW

13-0125	8	2	65/str	.050	.675	40	300
13-0126	8	3	65/str	.050	.700	40	383
13-0127	8	4	65/str	.050	.785	35	511
13-0128	8	5	65/str	.050	.830	28	633
13-0131	6	2	101/str	.050	.700	55	389
13-0132	6	3	101/str	.050	.780	55	550
13-0133	6	4	101/str	.050	.845	45	657
13-0134	6	5	101/str	.050	.950	36	830
13-0137	4	2	119/str	.050	.865	70	530
13-0138	4	3	119/str	.050	.925	70	710
13-0139	4	4	119/str	.050	1.000	60	916
13-0140	4	5	119/str	.050	1.090	48	1139
13-0143	2	2	119/str	.060	1.012	95	810
13-0144	2	3	119/str	.060	1.055	95	1051
13-0145	2	4	119/str	.060	1.100	80	1378
13-0146	2	5	119/str	.060	1.435	65	1725

Green conductor used for grounding purposes only

NOTES



Locking Plug No. 25-5266-C

Multi-Conductor Type SO



Multi-Conductor SOOW
600 Volt, 90°C,
UL/CSA Portable Cord
color-coded 90°C EPDM insulation,
with a heavy duty black polymer jacket overall.

COLE NUMBER	SIZE AWG	NO. OF COND.	COND. STRAND	NOM. WALL	NOM. O.D.	AMPS *	WT. LBS/M
18 Gauge							
13-0160	18	5	16/30	.030	.465	5.6	144
13-0161	18	6	16/30	.030	.495	5.6	172
13-0162	18	7	16/30	.030	.500	4.9	180
13-0163	18	8	16/30	.030	.530	4.9	214
13-0164	18	10	16/30	.030	.615	4.9	240
13-0165	18	12	16/30	.030	.665	4.9	265
13-0166	18	14	16/30	.030	.695	4.9	280
13-0167	18	16	16/30	.030	.705	4.9	340
13-0168	18	18	16/30	.030	.760	4.9	380
13-0169	18	20	16/30	.030	.795	4.9	420
13-0170	18	22	16/30	.030	.855	4.9	460
13-0171	18	24	16/30	.030	.901	4.9	500
16 Gauge							
13-0190	16	5	26/30	.030	.540	8	177
13-0191	16	6	26/30	.030	.550	8	214
13-0192	16	7	26/30	.030	.550	7	236
13-0193	16	8	26/30	.030	.575	7	252
13-0194	16	9	26/30	.030	.630	7	294
13-0195	16	10	26/30	.030	.700	7	310
13-0196	16	12	26/30	.030	.715	7	345
13-0197	16	14	26/30	.030	.750	7	375
13-0198	16	16	26/30	.030	.790	7	425
13-0199	16	18	26/30	.030	.795	7	475
13-0200	16	20	26/30	.030	.875	7	520
13-0202	16	24	26/30	.030	1.000	7	670
13-2202	16	26	26/30	.030	1.020	6	680
13-0204	16	30	26/30	.030	1.050	6	760
13-0205	16	36	26/30	.030	1.130	6	840
13-9205	16	37	26/30	.030	1.130	6	860
13-9206	16	40	26/30	.030	1.190	6	920
13-0207	16	44	26/30	.030	1.290	5	1040
13-0208	16	52	26/30	.030	1.350	5	1190
13-0209	16	60	26/30	.030	1.420	5	1340
13-0214	16	100	26/30	.030	1.800	5	2155

UL and CSA listed 5 thru 9 conductor; over 9 UL only

*One grounding conductor not counted for ampacity figure

NOTES

Pro Stage Multi-Cable

600 Volts, 105° C
PVC Insulated & PVC Jacketed
AWM Style 2586

COLE NUMBER	SIZE AWG	NO. OF COND.	COND. STRAND	NOM. WALL	NOM. O.D.	AMPS *	WT. LBS/M
12 Gauge							
13-2257	12	14	65/30	.030	.825	14	590

NOTES

Multi-Conductor Type SO



Multi-Conductor SOOW
600 Volt, 90°C,
UL/CSA Portable Cord
color-coded 90°C EPDM insulation,
with a heavy duty black polymer jacket overall.

COLE NUMBER	SIZE AWG	NO. OF COND.	COND. STRAND	NOM. WALL	NOM. O.D.	AMPS *	WT. LBS/M
14 Gauge							
13-0220	14	5	41/30	.045	.655	12	319
13-0221	14	6	41/30	.045	.710	12	350
13-0222	14	7	41/30	.045	.710	10.5	394
13-0223	14	8	41/30	.045	.760	10.5	410
13-0224	14	9	41/30	.045	.830	10.5	455
13-0225	14	10	41/30	.045	.895	10.5	475
13-0226	14	12	41/30	.045	.925	10.5	545
13-0227	14	14	41/30	.045	.965	10.5	650
13-0228	14	16	41/30	.045	1.05	10.5	725
13-0229	14	18	41/30	.045	1.10	10.5	800
13-0230	14	20	41/30	.045	1.16	10.5	860
13-0231	14	24	41/30	.045	1.30	0.5	1005
13-0232	14	30	41/30	.045	1.38	9	1180
13-0233	14	36	41/30	.045	1.48	9	1385
13-0234	14	44	41/30	.045	1.66	7.5	1670
13-0235	14	52	41/30	.045	1.73	7.5	1965
12 Gauge							
13-0250	12	5	65/30	.045	.715	16	355
13-0251	12	6	65/30	.045	.770	16	437
13-0252	12	7	65/30	.045	.770	14	460
13-0253	12	8	65/30	.045	.825	14	520
13-0254	12	9	65/30	.045	.900	14	602
13-0255	12	10	65/30	.045	1.000	14	640
13-0256	12	12	65/30	.045	1.030	14	715
13-0257	12	14	65/30	.045	1.080	14	850
13-0258	12	16	65/30	.045	1.130	14	935
13-0259	12	18	65/30	.045	1.250	14	1030
13-0260	12	20	65/30	.045	1.310	14	1100
13-0261	12	24	65/30	.045	1.450	12	1370
13-0262	12	26	65/30	.045	1.450	12	1410
13-0265	12	30	65/30	.045	1.540	12	1620
13-0266	12	36	65/30	.045	1.650	10	1775
13-9267	12	40	65/30	.045	1.760	10	2040
13-0268	12	50	65/30	.045	1.970	10	2510
13-0270	12	60	65/30	.045	2.090	10	2890
10 Gauge							
13-0280	10	5	104/30	.045	.770	24	496
13-0281	10	6	104/30	.045	.875	24	556
13-0282	10	7	104/30	.045	.875	21	714
13-0283	10	8	104/30	.045	.940	21	748
13-0284	10	10	104/30	.045	1.110	21	980
13-0285	10	12	104/30	.045	1.140	21	1020
13-0286	10	16	104/30	.045	1.300	17.5	1190
13-0287	10	20	104/30	.045	1.440	17.5	1445
13-0288	10	24	104/30	.045	1.590	15	1741
13-0289	10	26	104/30	.045	1.590	15	1825
13-0290	10	30	104/30	.045	1.680	15	2240
13-0293	10	40	104/30	.045	1.920	15	2680

UL and CSA listed 5 thru 9 conductor; over 9 UL only

*One grounding conductor not counted for ampacity figure

NOTES

UL Type W Entertainment Cable



Single Conductor Entertainment UL Type W
600/2000 Volt, 90°C, flexibly stranded bare copper,
with a heavy duty black polymer jacket.

COLE NUMBER	SIZE AWG	COND. STRAND	NOM. WALL	NOM. O.D.	AMPS *	WT LBS/M
14-0428	8	162/30	.060	.451	80	130
14-0429	6	264/30	.060	.540	105	205
14-0430	4	418/30	.060	.602	140	273
14-0431	2	660/30	.060	.686	190	375
14-0432	1	835/30	.080	.756	220	465
14-0433	1/0	1056/30	.080	.805	260	549
14-0434	2/0	1320/30	.080	.840	300	655
14-0435	3/0	1672/30	.080	.870	350	776
14-0436	4/0	2090/30	.080	.985	405	960
14-0437	250	2496/30	.095	1.065	455	1126

*Ampacity based on a conductor temperature of 90°C and an ambient air temperature of 30°C, per ICEA.

NOTES

Type SC Power Feeder Cable



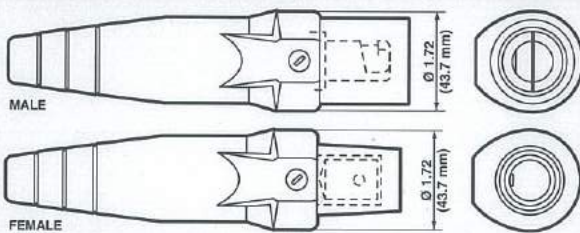
Stage Lighting Cable - Type SC
600 Volt, 105°C, single conductor,
flexibly stranded (Class K) bare copper,
with a black thermoset vulcanized jacket.
NEC Articles 520 and 530

COLE NUMBER	SIZE AWG	COND. STRAND	NOM. O.D.	AMPS *	WT LBS/M
14-0439	8	162/30	.381	80	107
14-0440	6	264/30	.426	105	142
14-0441	4	418/30	.480	140	205
14-0442	2	660/30	.535	190	300
14-0443	1	832/30	.570	220	359
14-0444	1/0	1040/30	.590	260	434
14-0445	2/0	1311/30	.635	300	526
14-0446	3/0	1664/30	.688	350	644
14-0447	4/0	2090/30	.745	405	797
14-0448	250	2496/30	.885	455	954

*Ampacity based on a conductor temperature of 90°C and an ambient air temperature of 30°C, per National Electric Code Table 400-5(B) of 1990.

NOTES

Detachable Plug



MALE
COLE
NUMBER

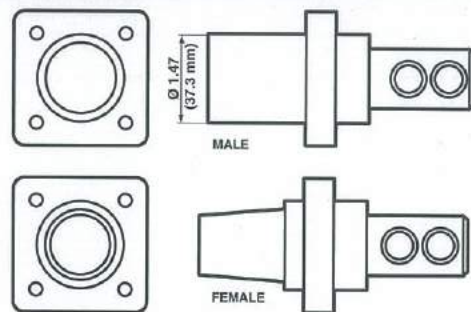
CABLE
SIZE

FEMALE
COLE
NUMBER

25-16D22	2-2/0	25-16D31
25-16D24	1/0-4/0	25-16D33
25-16D25	2-1	25-16D34
25-16D26	1/0-2/0	25-16D35
25-16D28	3/0-4/0	25-16D37

NOTES

Panel Receptacle



MALE
COLE
NUMBER

CABLE
SIZE

FEMALE
COLE
NUMBER

25-16R21	2-4/0	25-16R22
----------	-------	----------

NOTES



CWC

COLE Wire & Cable Co.

**The One Source Solution
For Your Stage Lighting
Wire, Cable and
Connectors**

Now, in an expansion of our already incredible services, Cole offers an interactive website that will tangibly benefit you. Using the new website's capabilities, Cole customers can choose to access our 24 hour a day portal for ordering, gaining current inventory information, pricing and delivery.

MAILING ADDRESS:
P.O. Box 1500
Lincolnshire, IL 60069-1500

SHIPPING ADDRESS:
15801 Aptakisic
Prairie View, IL 60069-4309



WEB SITE:
www.colewire.com

PHONE:
1-800-323-1403

FAX:
(847) 634-4988

